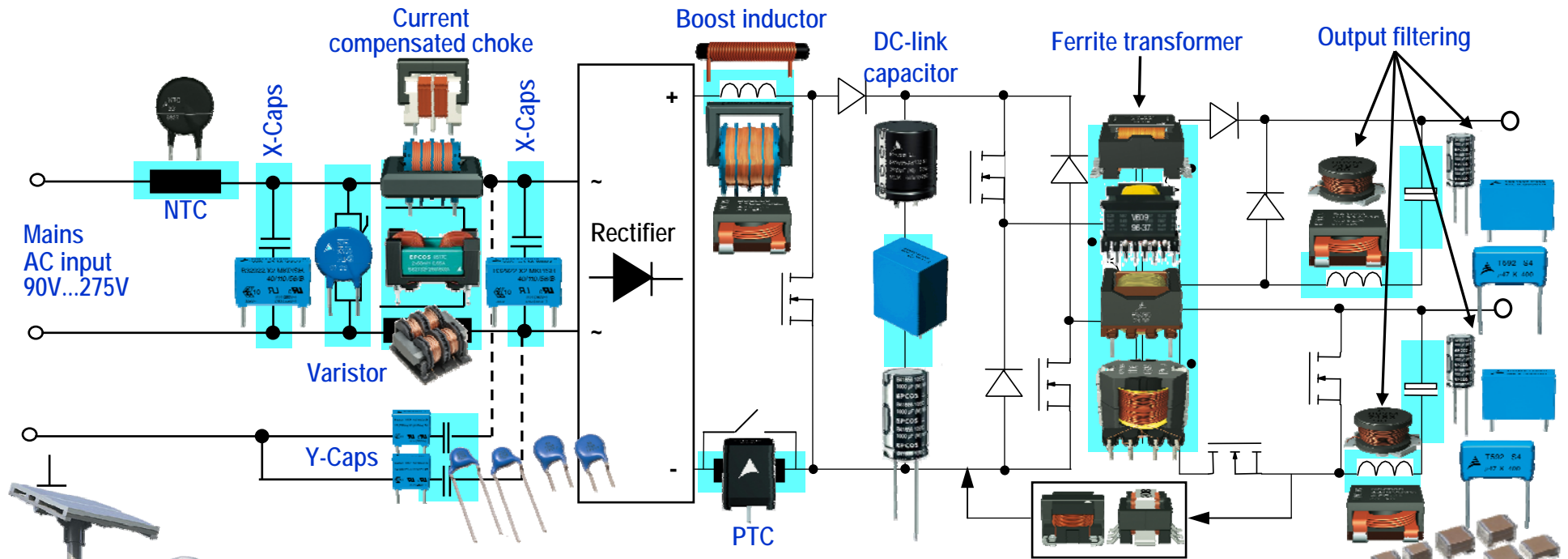


LED driver – Constant Current Power Supply



1. Varistors (leaded & strap), PTC or NTC Inrush Current Limiter
2. Common mode choke, X capacitors and Y capacitors for EMI
3. Boost inductor or DC link choke
4. DC Link capacitors (Al Snap-in, Radial or Boxed Film)
5. Ferrite transformer (variety of core, bobbin shapes & sizes)
6. Output filter (Inductors and Film, Aluminum, or MLCC caps)
7. Current sense and/or gate drive transformer
8. NTC and PTC temp sensors, MLV near LED array

