

actual size

Automotive SMD Crystal · JXS53P4

- 4 Pad Version, 5.0 x 3.2 mm
- seam sealed ceramic/metal package
- all versions are AEC-Q200 qualified
- HMR version with extended shock & vibration immunity



RoHS compliant



Pb free



REACH compliant



Conflict mineral free

GENERAL DATA

TYPE	JXS53P4
frequency range	8.0 ~ 56.0 MHz (fund. AT-cut)
frequency tolerance at 25 °C	±10 ppm, ±30 ppm
load capacitance C_L	12 pF standard (option: 8 pF ~ 30.0 pF / series)
shunt capacitance C_0	< 7 pF
storage temperature	-40 °C ~ +125 °C
shock resistance	> 100 g (half sine pulse, 6.0 ms)*
drive level max.	100 µW (10 µW recommended)
aging	< ±3 ppm first year

* optional HMR version: 3000G / half sine pulse / 0,3 ms

TABLE 1: FREQUENCY STABILITY VS. TEMPERATURE

		± 15 ppm	±20 ppm	±30 ppm	±50 ppm	±100 ppm
-20 °C ~ +70 °C	STD.	○	○	○	○	○
-40 °C ~ +85 °C	T1	○	○	○	○	○
-40 °C ~ +105 °C	T2				○	○
-40 °C ~ +125 °C	T3				○	○

○ available

ESR (SERIES RESISTANCE RS) AT MAX. TEMPERATURE RANGE

frequency in MHz	vibration mode	ESR max. in Ω	ESR typ. in Ω
8.0 ~ 9.999	fund. - AT	100	50
10.0 ~ 10.999	fund. - AT	50	30
11.0 ~ 11.999	fund. - AT	40	25
12.0 ~ 21.999	fund. - AT	40	20
22.0 ~ 24.999	fund. - AT	40	15
25.0 ~ 49.999	fund. - AT	30	15
50.0 ~ 56.000	fund. - AT	40	20

MARKING

frequency with load capacitance code
company code / date code / internal code

date code: year/month; A ~ M: Jan. - Dec.; example 9A = 2019 January
 9: 2019 0: 2020 1: 2021 2: 2022 3: 2023 4: 2024

Jan.	Febr.	Mar.	Apr.	May	June
A	B	C	D	E	F
July	Aug.	Sept.	Oct.	Nov.	Dec.
G	H	J	K	L	M

DIMENSIONS

top view side view bottom view #2-#4: connected to lid crystal connection pad layout in mm

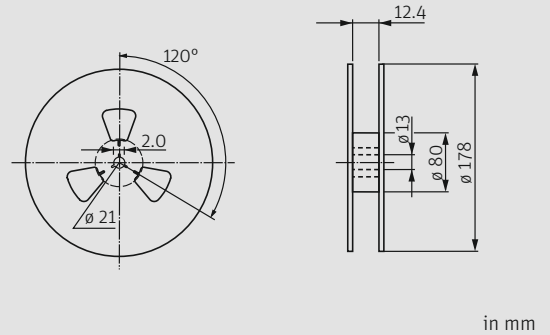
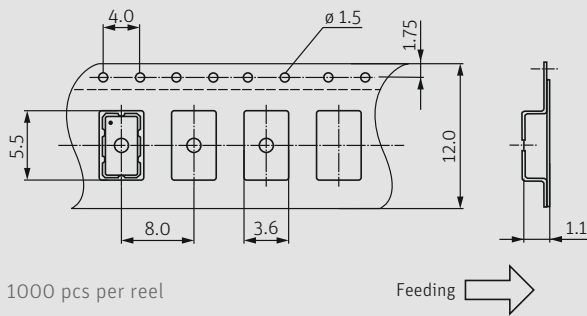
ORDER INFORMATION

Q	frequency	type	load capacitance	tolerance at 25 °C	stability vs. temp. range	option 1	option 2
Quartz	8.0 ~ 56.0 MHz	JXS53P4	12 pF standard 8 pF ~ 30 pF S for series	10 = ±10 ppm 30 = ±30 ppm	15 = ±15 ppm 20 = ±20 ppm 30 = ±30 ppm 50 = ±50 ppm 100 = ±100 ppm	blank = -20 °C ~ +70 °C T1 = -40 °C ~ +85 °C T2 = -40 °C ~ +105 °C T3 = -40 °C ~ +125 °C FU = for fundamental frequencies ≥ 20 MHz	AEC = AEC-Q200 qualified HMR = high mechanical reliability (3000g/half sine wave/0.3ms)

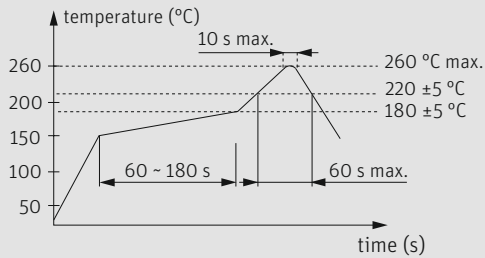
Example: Q 30.0-JXS53P4-12-30/50-FU-AEC-LF (Suffix LF = RoHS compliant / Pb free)

Automotive SMD Crystal · JXS53P4

TAPING SPECIFICATION



REFLOW SOLDERING PROFILE



note: parts are also suitable for soldering systems with lead (Pb) content

LOAD CAPACITANCE CODES

8 pF: k	14 pF: x	22 pF: g	series: s
9 pF: n	15 pF: j	24 pF: d	T: 3rd OT
10 pF: h	16 pF: b	25 pF: r	
11 pF: l	17 pF: t	27 pF: w	
12 pF: a	18 pF: f	30 pF: .	
13 pF: v	20 pF: c		

example 20.0 MHz / 12 pF: 20a00