

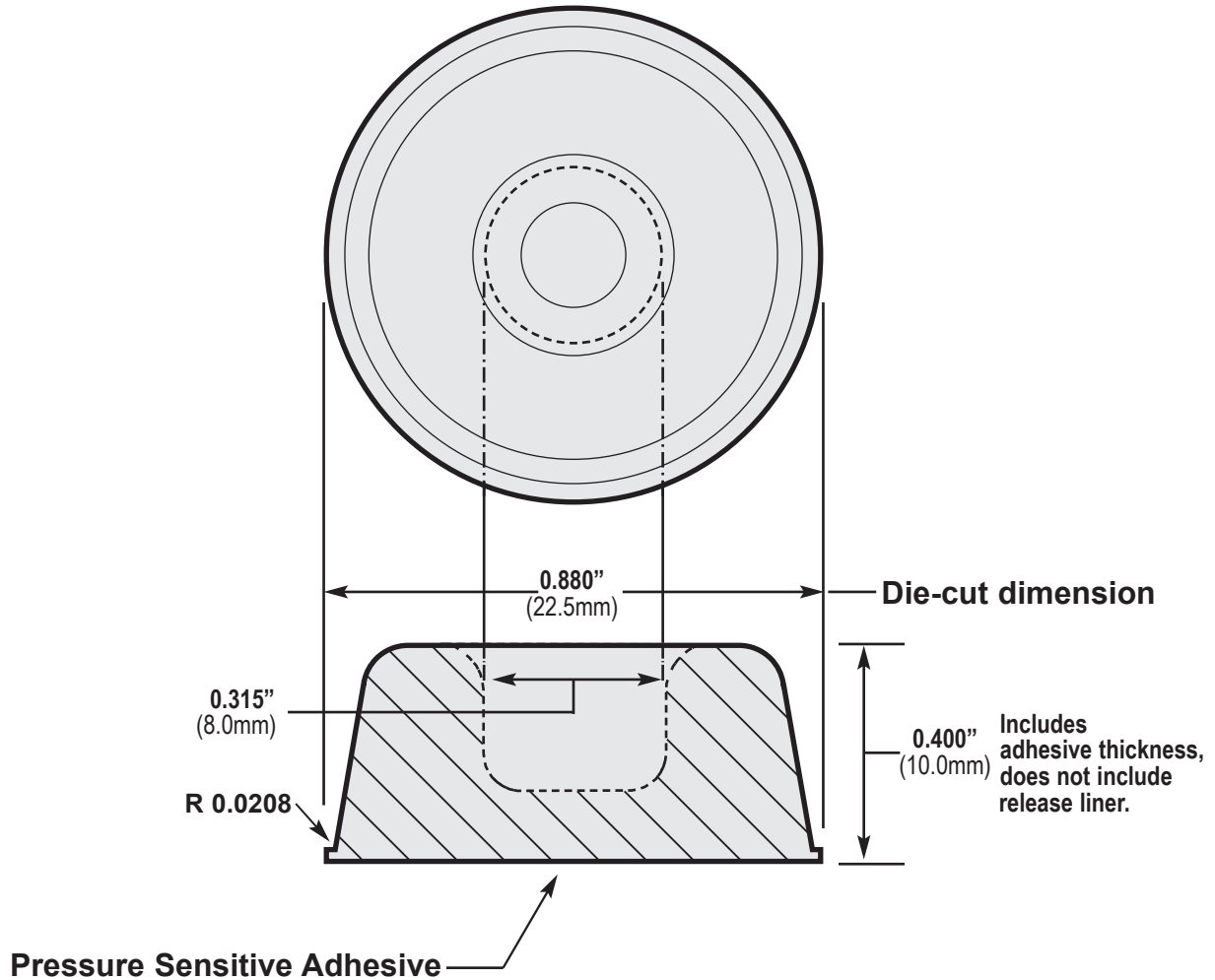


Bumper Specialties, Inc.

Mid Atlantic Corporate Center, 1607 Imperial Way, West Deptford, New Jersey 08066, USA

Phone: 800-541-2500 Fax: 800-220-2840

www.bumperspecialties.com email: bumper@snip.net



BS-17 Mechanical



Actual Size: Cross-Section

General Specifications

Material: Polyurethane
Pressure Sensitive Adhesive: Synthetic Rubber -or- Acrylic
Durometer, Shore A: 60-70 Standard
Tolerance: ± 0.02 " (.5mm)

Pad Size: 6" x 12"
Per Pad: 72 Pieces -- 6 across, 12 down
Per Box: 1,440 Pieces -- 20 Pads
Colors: Clear, Black, White & Gray