



actual size

Oscillator · (VC)TCXO · JT21P(V)

Temp. Compensated Crystal Oscillator · 2.0 x 1.6 mm

- low power VCTCXO or TCXO
- temperature range -30 °C ~ +85 °C available
- reflow soldering temperature: 260 °C max.
- ceramic/metal package



General Data

type		JT21P / JT21PV
frequency range		8.0 ~ 52.0 MHz
frequency	at +25 °C	± 2.0 ppm (incl. 2x reflow)
	tolerance/temperature	± 1 ppm ~ ± 5 ppm (table 1)
stability	aging first year	± 1 ppm (at +25 °C)
	supply voltage	± 0.2 ppm (at $V_{DC} \pm 5\%$)
	load change	± 0.2 ppm (at 10Kohms 10pF +/-10%)
current consumption		2.0 mA max.
supply voltage V_{DC}		1.8 / 2.5 / 2.8 / 3.0 (± 5%) *
temperature	operating	-30 °C ~ +85 °C
	storage	-40 °C ~ +85 °C
output	load nom.	10 KΩ // 10 pF
	level min.	0.8 Vpp (clipped sine)
external tuning range JT21PV		± 8 ppm min.
external tuning voltage JT21PV		0.9 V ± 0.9 V at $V_{DC} = 1.8$ V (standard) 1.5 V ± 1.0 V at $V_{DC} \geq 2.5$ V (standard) 1.4 V ± 1.0 V at $V_{DC} \geq 2.5$ V (option)
start-up time max.		2.0 ms
phase noise	at 100 Hz	-120 dBc/Hz typ.
	at f_o	-138 dBc/Hz typ.
26 MHz	at 1 KHz	-138 dBc/Hz typ.
	at 10 KHz	-145 dBc/Hz typ.

Table 1: Frequency Stability vs. Temperature

operating temperature code	frequency stability code					
	Y	Z	A	B	C	D
± 5.0 ppm	± 3.0 ppm	± 2.5 ppm	± 2.0 ppm	± 1.5 ppm	± 1.0 ppm	
M: -30 °C ~ +85 °C	○	○	○	○	○	○

○ available

Marking

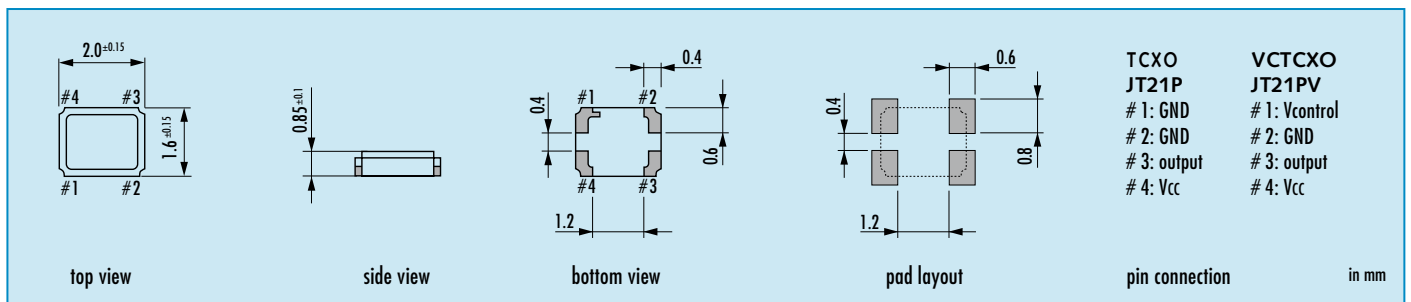
company code / date code / internal code
frequency / blank date code / internal code

		Jan.	Feb.	Mar.	Apr.	May	Jun.	Jul.	Aug.	Sept.	Oct.	Nov.	Dec.	
2015	2019	a	b	c	d	e	f	g	h	i	j	k	l	m
2016	2020	n	p	q	r	s	t	u	v	w	x	y	z	
2017	2021	A	B	C	D	E	F	G	H	J	K	L	M	
2018	2022	N	P	Q	R	S	T	U	V	W	X	Y	Z	

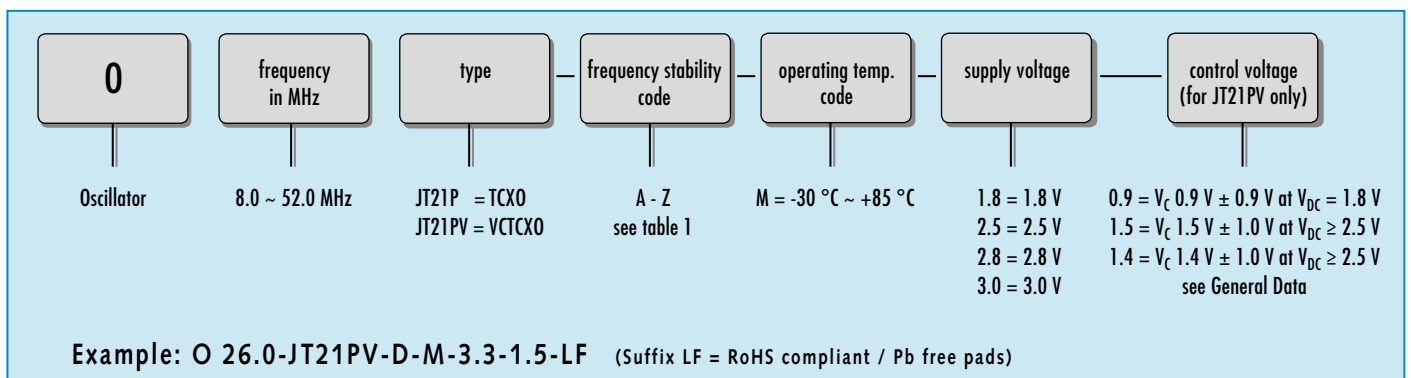
Note

- TCXO JT21P: pin #1 connected to GND
- VCTCXO JT21PV: pin #1 is control voltage V_c
- external AC coupling for output recommended
- * other nominal supply voltages within 1.8 V ~ 3.0 V need to be specified, ask for availability (supply voltage 3.3V+-5% not available)

Dimensions

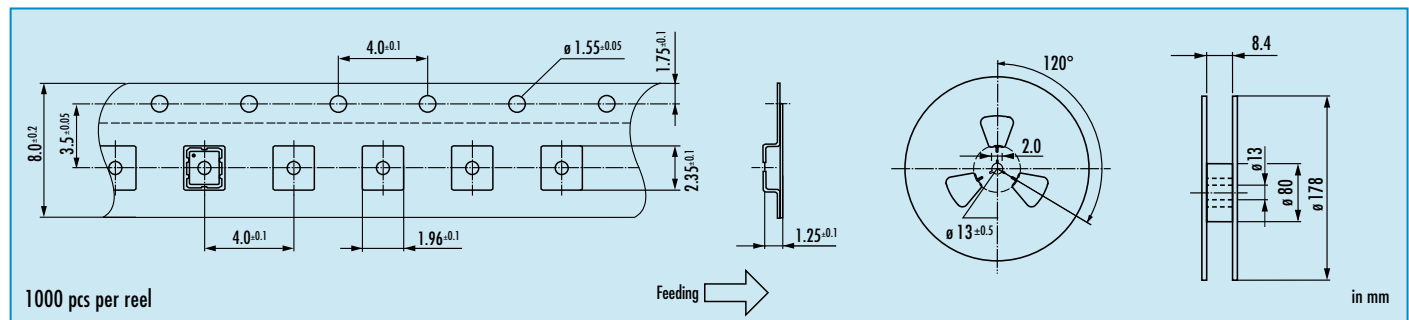


Order Information

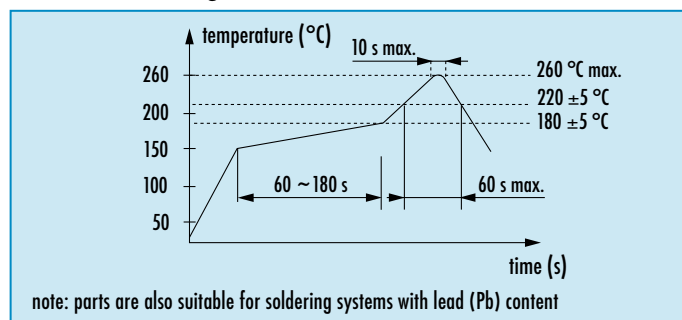


Oscillator · (VC-)TCXO · JT21P(V)

Taping Specification



Reflow Soldering Profile



Packing Note

- standard packing units are 500 pieces per reel
- non-multiple packing units are only supplied taped / bulk